

# Solenoid valves 2/2-way assisted lift operated

## Type EV250B

### Features



### EV250B NC and NO

- For heating systems and other systems with low and strongly fluctuating pressure conditions
- For water, oil, compressed air and similar neutral media
- $k_v$  value: Up to 7 m<sup>3</sup>/h
- Differential pressure: up to 10 bar
- Viscosity: Up to 50 cst
- Ambient temperature: Up to +80°C
- Media temperature from -30 to +140°C
- Coil enclosure: Up to IP 67
- Thread connections: From G 3/8 to G 1
- Also available with NPT thread. Please contact Danfoss.
- The valve can be used for rough vacuum

### Technical data

Main type	EV250B 10BD	EV250B 12BD	EV250B 18BD	EV250B 22BD
Installation	Vertical solenoid system is recommended			
Pressure range	See Ordering			
Max. test pressure	25 bar			
Tightness	Internally: Better than 0.4 mbar l/sec (25ccm air per min.) Externally: Better than 1* 10 <sup>-3</sup> mbar l/sec (100% He)			
Time to open1)	100 ms	100 ms	150 ms	150 ms
Time to close1)	100 ms	100 ms	100 ms	100 ms
Ambient temperature	Max. +80°C (depending on coil type, see data for the coil selected)			
Media temperature	EPDM: -30 → +120°C: 0 → 10 bar +120 → +140°C: 0 → 4 bar FKM: 0 → +100°C (water: max. +60°C)			
Viscosity	max. 50 cSt			
Materials	Valve body: DZR brass <sup>2)</sup> , CuZn36Pb2As/CZ 132 Cover: Brass, W.no. 2.0402 Armature: Stainless steel, W.no. 1.4105 / AISI 430 FR Armature tube: Stainless steel, W.no. 1.4306 / AISI 304 L Armature stop: Stainless steel, W.no. 1.4105 / AISI 430 FR Springs: Stainless steel, W.no. 1.4310 / AISI 301 O-rings: EPDM or FKM Valve plate: EPDM or FKM Diaphragm: EPDM or FKM			

1) The times are indicative and apply to water. The exact times will depend on the pressure conditions.

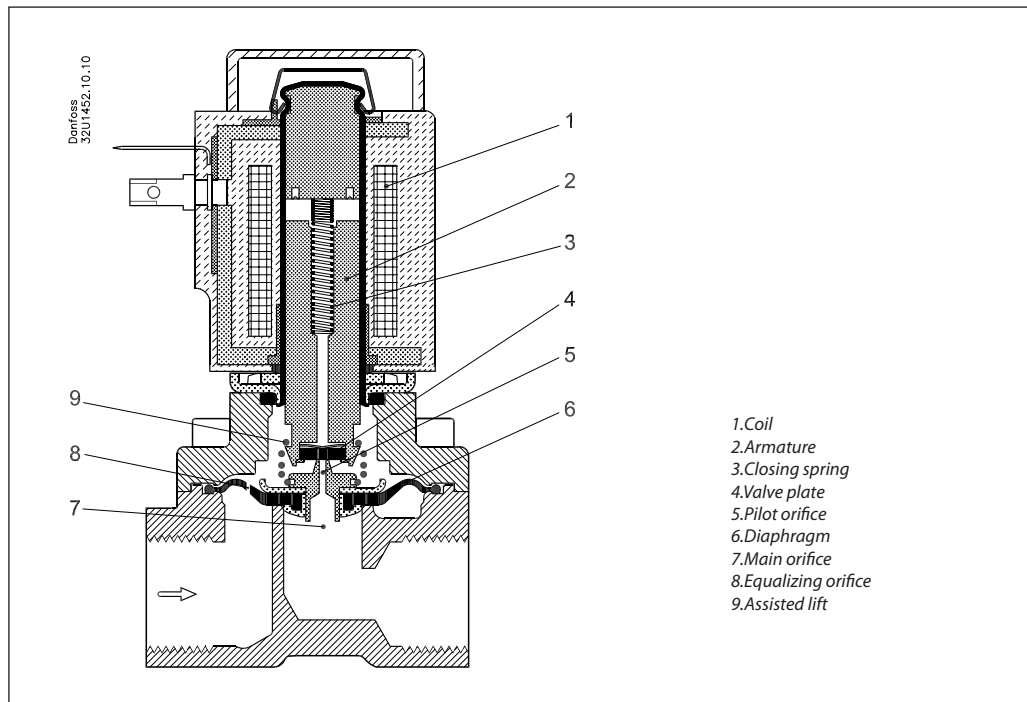
2) Dezincification resistant brass

### Approvals

Seal material	
EPDM	WRAS VA C <sup>®</sup> UL US LISTED C <sup>®</sup> RU US
FKM	C <sup>®</sup> UL US LISTED C <sup>®</sup> RU US

Main type	Approvals	
EV250B NC	VA C <sup>®</sup> UL US LISTED C <sup>®</sup> RU US	Pending, see Ordering page 2
EV250B NO	WRAS VA C <sup>®</sup> UL US LISTED C <sup>®</sup> RU US	Pending, see Ordering page 3

Function NC



- 1. Coil
- 2. Armature
- 3. Closing spring
- 4. Valve plate
- 5. Pilot orifice
- 6. Diaphragm
- 7. Main orifice
- 8. Equalizing orifice
- 9. Assisted lift

**Coil voltage disconnected (closed):**  
 When the supply voltage to the coil (1) is disconnected, the valve plate (4) is pressed down against the pilot orifice (5) by the closing spring (3). The pressure across the diaphragm (6) is built up via the equalizing orifice (8). The diaphragm closes the main orifice (7) as soon as the pressure across the diaphragm is equivalent to the inlet pressure below, due to the larger diameter of the upper side and/or the tension of the closing spring (3). The valve will be closed as long as the voltage to the coil is disconnected.

**Coil voltage connected (open):**  
 When voltage is applied to the coil, the armature (2) and the valve plate (4) are lifted clear of the pilot orifice (5). If there is a differential pressure across the valve, the pressure above the diaphragm (6) drops as the pilot orifice is larger than the equalizing orifice. Therefore the diaphragm is lifted clear of the main orifice (7). If there is no differential pressure across the valve, the armature (2) draws the diaphragm (6) clear of the main orifice (7) using the assisted lift (9). The valve will be open for as long as there is voltage to the coil.

Ordering - valve body

Con- nec- tion ISO 228/1	Seal material	k <sub>v</sub> value [m <sup>3</sup> /h]	Media temp.		Type designation		Permissible differential pressure (bar) / coil type <sup>3)</sup>					Code no. without coil		
			Min. [°C]	Max. [°C]	Main type	Specification	Min.	Max.			Approvals <sup>4)</sup>			
								BB / BE		BG		BN		
								10 W ac	18 W dc <sup>5)</sup>	12 W ac		20 W dc	20 W ac	
G ¾	EPDM <sup>1)</sup>	2.5	-30	+140	EV250B 10BD	G 38E NC000	0	10	6	10	10	10	WRAS, UL	<b>032U5250</b>
	FKM <sup>2)</sup>		0	+100	EV250B 10BD	G 38F NC000		10	6	10	10	10		WRAS, UL
G ½	EPDM <sup>1)</sup>	4	-30	+140	EV250B 12BD	G 12E NC000	0	10	6	10	10	10	WRAS, UL	<b>032U5252</b>
	FKM <sup>2)</sup>		0	+100	EV250B 12BD	G 12F NC000		10	6	10	10	10		WRAS, UL
G ¾	EPDM <sup>1)</sup>	6	-30	+140	EV250B 18BD	G 34E NC000	0	10	6	10	10	10	WRAS, UL	<b>032U5254</b>
	FKM <sup>2)</sup>		0	+100	EV250B 18BD	G34F NC000		10	6	10	10	10		WRAS, UL
G 1	EPDM <sup>1)</sup>	7	-30	+140	EV250B 22BD	G1E NC000	0	10	6	10	10	10	WRAS, UL	<b>032U5256</b>
	FKM <sup>2)</sup>		0	+100	EV250B 22BD	G1F NC000		10	6	10	10	10		WRAS, UL

1) EPDM is suitable for water and steam

-30 → +120°C: 0 → 10 bar

+120 → +140°C: 0 → 4 bar

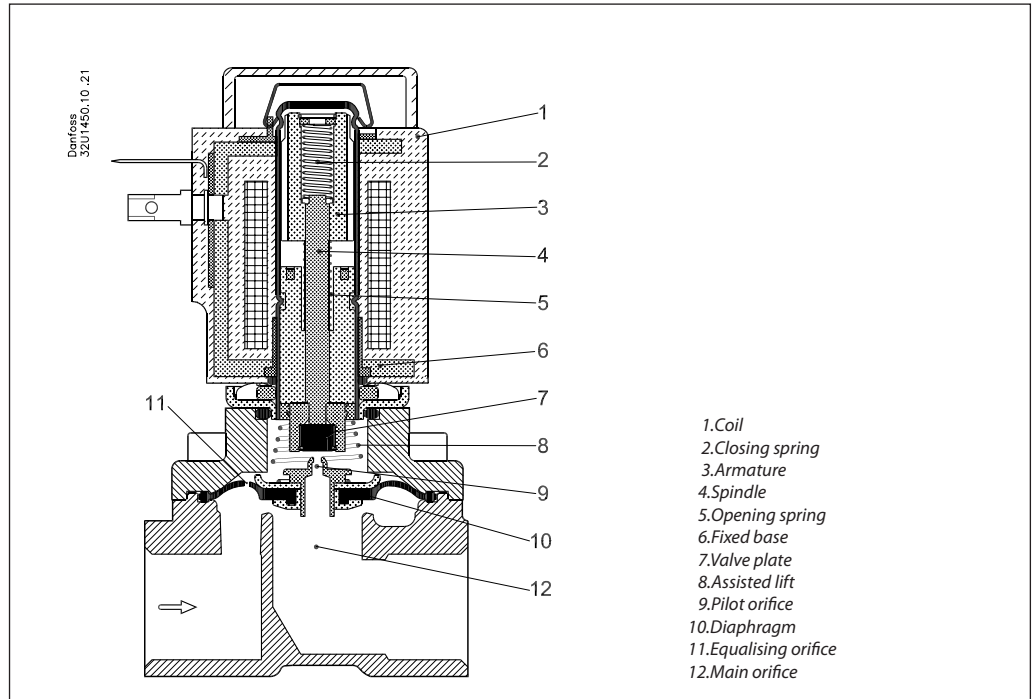
2) FKM is suitable for oil, water and air (water: Max. +60°C)

3) Pressure range can be extended to use in rough vacuum, typically up to 99% vacuum (10 mbar), depending on the application.

4) Approvals see front page

5) **6 bar max. opening differential pressure is measured at 6% undervoltage ( 22.6 V DC hot coil), 50°C ambient and 90°C media temperature. Outside these specifications please contact Danfoss.**

Function NO



**Coil voltage disconnected (valve is open):**  
 When the supply voltage to the coil (1) is disconnected, the valve plate (7) are lifted clear of the pilot orifice (9) if there is a differential pressure across the valve. The pressure above the diaphragm (10) drops as the pilot orifice is larger than the equalizing orifice. Therefore the diaphragm is lifted clear of the main orifice (12). If there is no differential pressure across the valve, the opening spring (5) draws the diaphragm (10) clear of the main orifice (12) using the assisted lift (8). The valve will be open for as long as there is no voltage to the coil.

**Coil voltage connected (valve is closed):**  
 When the supply voltage to the coil (1) is connected, the armature (3) will compress the opening spring (5) and the closing spring will push the spindle (4)/ valve plate down against the pilot orifice (9). The pressure across the diaphragm (10) is built up via the equalising orifice (11). The diaphragm closes the main orifice (12) as soon as the pressure across the diaphragm is equivalent to the inlet pressure below, due to the larger diameter of the upper side and / or the tension of the closing spring (2). The valve will be closed as long as coil voltage is connected.

Ordering - valve body

Con- nec- tion ISO 228/1	Seal material	k <sub>v</sub> value [m <sup>3</sup> /h]	Media temp.		Type designation		Permissible differential pressure (bar) / coil type <sup>3)</sup>					Code no. without coil		
			Min. [°C]	Max. [°C]	Main type	Specification	Min.	Max.				Approvals <sup>4)</sup>		
								BB / BE		BG				BN
								10 W ac	18 W dc	12 W ac	20 W dc			
G 3/8	EPDM <sup>1)</sup>	2.5	-30	+140	EV250B 10BD	G 38E NO000	0	10	10	10	10	10	pending	<b>032U5350</b>
	FKM <sup>2)</sup>		0	+100	EV250B 10BD	G 38F NO000		10	10	10	10	10	pending	<b>032U5351</b>
G 1/2	EPDM <sup>1)</sup>	4	-30	+140	EV250B 12BD	G 12E NO000	0	10	10	10	10	10	pending	<b>032U5352</b>
	FKM <sup>2)</sup>		0	+100	EV250B 12BD	G 12F NO000		10	10	10	10	10	pending	<b>032U5353</b>
G 3/4	EPDM <sup>1)</sup>	4.9	-30	+140	EV250B 18BD	G 34E NO000	0	10	10	10	10	10	pending	<b>032U5354</b>
	FKM <sup>2)</sup>		0	+100	EV250B 18BD	G 34F NO000		10	10	10	10	10	pending	<b>032U5355</b>
G 1	EPDM <sup>1)</sup>	5.2	-30	+140	EV250B 22BD	G 1E NO000	0	10	10	10	10	10	pending	<b>032U5356</b>
	FKM <sup>2)</sup>		0	+100	EV250B 22BD	G 1F NO000		10	10	10	10	10	pending	<b>032U5357</b>

1) EPDM is suitable for water and steam

-30 → +120°C: 0 → 10 bar

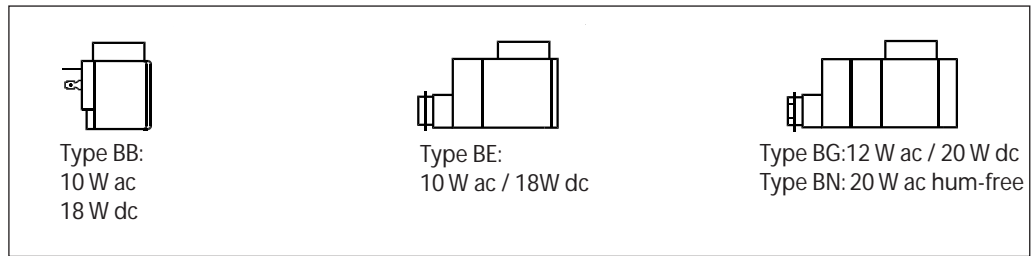
+120 → +140°C: 0 → 4 bar

2) FKM is suitable for oil, water and air (water: Max. +60°C)

3) Pressure range can be extended to use in rough vacuum, typically up to 99% vacuum (10 mbar), depending on the application.

4) Approvals see front page

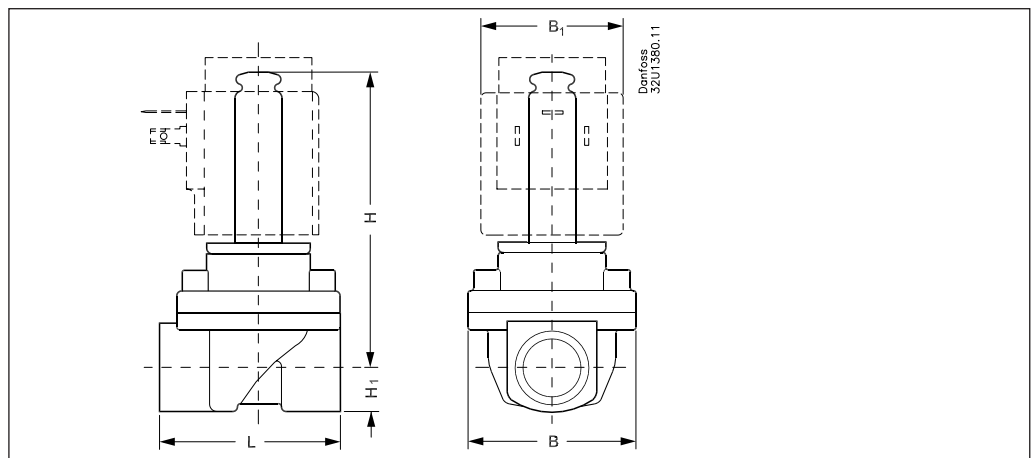
Coil options



Ordering coils

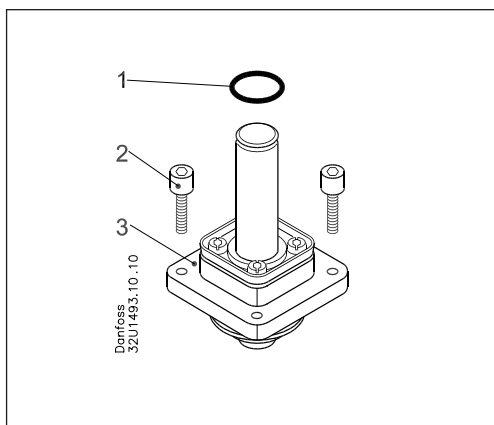
See separate data sheet for coils DKACV.PD.600.A

Dimensions and weight



Type	L [mm]	B [mm]	B1 [mm]		H <sub>1</sub> [mm]	H [mm]	Weight without coil [kg]
			coil type				
			BB/BE	BG/BN			
G 3/4	58	52.3	46	68	12.5	91	0.6
G 1/2	58	52.3	46	68	12.5	91	0.6
G 3/4	90.5	58	46	68	18	92	0.8
G 1	90	58	46	68	22.3	96.3	1.1

Spare parts kit for NC  
EPDM seal material

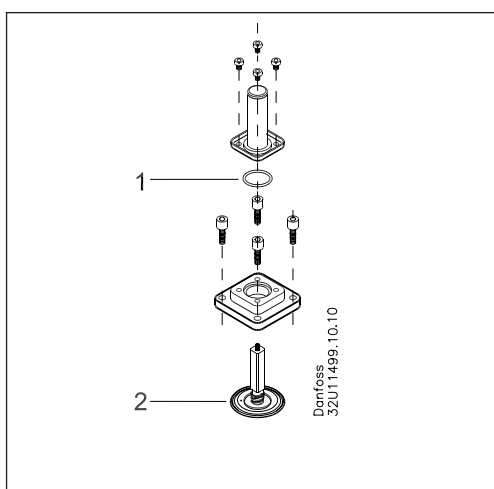


The spare parts kit comprises:

1. O-ring for coil.
2. 4 screws.
3. Complete NC actuator unit with diaphragm, assist spring, armature, closing spring, cover and armature tube.

For valve type	Seal material	Code no.
EV250B 10 - 12BD	EPDM	<b>032U5315</b>
EV250B 18 - 22BD	EPDM	<b>032U5317</b>

Spare parts kit for NC  
FKM seal material

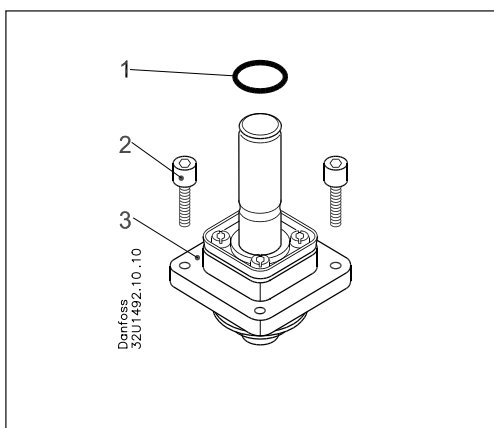


The spare parts kit comprises:

1. O-ring between armature tube and cover.
2. Service element consisting of an armature with valve plate and spring fitted on the diaphragm.

For valve type	Seal material	Code no.
EV250B 10 - 12BD	FKM	<b>032U5271</b>
EV250B 18 - 22BD	FKM	<b>032U5273</b>

Spare parts kit for NO



The spare parts kit comprises:

1. O-ring for coil.
2. 4 screws.
3. Complete NO actuator unit with diaphragm, assist spring, NO armature unit and cover.

For valve type	Seal material	Code no.
EV250B 10 - 12BD	EPDM	<b>032U5319</b>
EV250B 10 - 12BD	FKM	<b>032U5320</b>
EV250B 18 - 22BD	EPDM	<b>032U5321</b>
EV250B 18 - 22BD	FKM	<b>032U5322</b>

Danfoss can accept no responsibility for possible errors in catalogues, brochures and other printed material. Danfoss reserves the right to alter its products without notice. This also applies to products already on order provided that such alterations can be made without consequential changes being necessary in specifications already agreed. All trademarks in this material are property of the respective companies. Danfoss and the Danfoss logotype are trademarks of Danfoss A/S. All rights reserved.