

# Solenoid valves 2/2-way direct-operated Type EV210B

## Features



### EV210B NC

- For robust industrial application, such as control and dosage.
- For water, oil, compressed air and similar neutral media.
- Differential pressure: Up to 30 Bar
- Ambient temperature: Up to +80°C
- Coil enclosure: Up to IP 67
- Thread connections: G<sup>1/8</sup> to G1
- Viscosity: Up to 50 cSt
- K<sub>v</sub> value up to 8.0 m<sup>3</sup>/h
- Also available with NPT thread. Please contact Danfoss.
- The valves can be used for rough vacuum.

## Contents

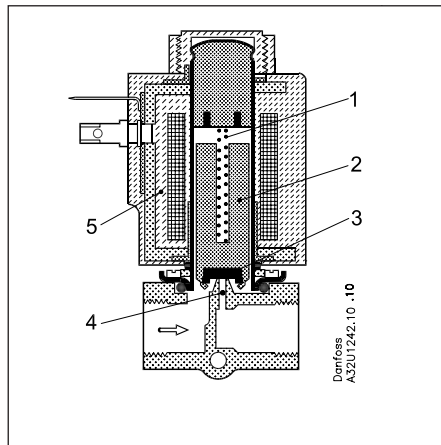
Information type	Page
<b>EV210B 1.5-25B NC</b> Technical data, function, coil options.....	2
Ordering.....	3
Dimensions and weight.....	4
<b>EV210B NO</b> Technical data and function.....	5
Ordering, coil options, dimensions and weight.....	6
<b>EV210B NC SS</b> Technical data and function.....	7
Ordering, coil options, dimensions and weight.....	8
<b>Spare parts NC,NO</b> Ordering.....	9

Technical data

Type	EV210B	EV210B	EV210B	EV210B	EV210B	EV210B	EV210B
	1.5-2 B	3-4.5 B	6 B	8-10 B	15 B	20 B	25 B
Installation	Optional, but vertical solenoid system is recommended						
Pressure range	0 - 30 bar						
Max. test pressure	50 bar	50 bar	50 bar	50 bar	12 bar	12 bar	12 bar
Tightness	Internally: Better than 8.3 x 10 <sup>-2</sup> mbar l/sec (5 ccm air per min) Externally: Better than 1 x 10 <sup>-3</sup> mbar l/sec (100% He)						
Time to open <sup>1)</sup>	10 ms	20 ms	20 ms	20 ms	30 ms	40 ms	40 ms
Time to close <sup>1)</sup>	20 ms	20 ms	20 ms	30 ms	50 ms	50 ms	70 ms
Ambient temperature	Max. +80°C (depending on coil type, see data for the coil selected)						
Medium temperature	See specific valve data						
Viscosity	Max. 50 cSt						
Materials	Valve body: Brass,..... W.no. 2.0402 Armature: Stainless steel, W.no. 1.4105/AISI 430FR Armature tube: Stainless steel, W.no. 1.4306/AISI 304L Armature stop: Stainless steel, W.no. 1.4105/AISI 430FR Springs: Stainless steel, W.no. 1.4310/AISI 301 Seal material: See specific valve data						

<sup>1)</sup>The times are indicative and apply to water. The exact times will depend on the pressure conditions.

Function



- 1. Closing spring
- 2. Armature
- 3. Valve plate
- 4. Valve orifice
- 5. Coil

*Coil voltage disconnected (closed):*

When the voltage to the coil (5) is disconnected, the armature (2) with the valve plate (3) is pressed down against the valve orifice (4) by the closing spring (1) and the medium's pressure. The valve will be closed for as long as the voltage to the coil is disconnected.

*Coil voltage connected (open):*

When voltage is applied to the coil (5), the armature (2) with the valve plate (3) is lifted clear of the valve orifice (4). The valve is now open for unimpeded flow and will be open for as long as there is voltage to the coil.

Coil options

					<i>Danfoss also offers hum-free coils for noise sensitive applications and EEx m II T4 coils for use in explosion risk areas - please see coil data sheet IC.PD.600.A</i>
Type BA: 9 W ac 15 W dc	Type BD: 15 W ac	Type BB: 10 W ac 18 W dc	Type BE (IP67): 10 W ac 18 W dc	Type BG: 12 W ac 20 W dc	

Ordering - coils

See separate data sheet for coils IC.PD.600.A

Ordering

EV210B NC versions for AC and DC current:  
Brass bodies

Conn. ISO 228/1	Seal material	k <sub>v</sub> value [m <sup>3</sup> /h]	DN [mm]	Media temp		Type designation		Code no. without coil	Permissible differential pressure(bar)/Coil type <sup>2)</sup>						
				Min °C	Max. °C	Main type	Specification		BA		BD	BB		BG	
									9W a.c.	15W d.c.	15W a.c.	10W a.c.	18W d.c.	12W a.c.	20W d.c.
G 1/8	EPDM <sup>1)</sup> FKM	0.08 0.08	1.5 1.5	-30 -10	+120 +100	EV210B 1.5B EV210B 1.5B	G 18E NC000 G 18F NC000	032U5701 032U5702	30 30	30 30	30 30	30 30	30 30	30 30	30 30
	EPDM <sup>1)</sup> FKM	0.15 0.15	2.0 2.0	-30 -10	+120 +100	EV210B 2.0B EV210B 2.0B	G 18E NC000 G 18F NC000	032U5714 032U5704	30 30	20 20	30 30	30 30	30 30	30 30	30 30
	EPDM <sup>1)</sup> FKM	0.30 0.30	3.0 3.0	-30 -10	+120 +100	EV210B 3.0B EV210B 3.0B	G 18E NC000 G 18F NC000	032U5705 032U5706	15 15	9 9	24 24	20 20	13 13	30 30	25 25
G 1/4	EPDM <sup>1)</sup> FKM	0.08 0.08	1.5 1.5	-30 -10	+120 +100	EV210B 1.5B EV210B 1.5B	G 14E NC000 G 14F NC000	032U3628 032U3629	30 30	30 30	30 30	30 30	30 30	30 30	30 30
	EPDM <sup>1)</sup> FKM	0.15 0.15	2.0 2.0	-30 -10	+120 +100	EV210B 2.0B EV210B 2.0B	G 14E NC000 G 14F NC000	032U5707 032U5708	30 30	20 20	30 30	30 30	30 30	30 30	30 30
	EPDM <sup>1)</sup> FKM	0.30 0.30	3.0 3.0	-30 -10	+120 +100	EV210B 3.0B EV210B 3.0B	G 14E NC000 G 14F NC000	032U5709 032U5710	15 15	9 9	24 24	20 20	13 13	30 30	25 25.0
	EPDM <sup>1)</sup> FKM	0.55 0.55	4.5 4.5	-30 -10	+120 +100	EV210B 4.5B EV210B 4.5B	G 14E NC000 G 14F NC000	032U3600 032U3601	8.0 8.0	3.5 3.5	12 12	10 10	4.5 4.5	13 13	9 9
	EPDM FKM	0.70 0.70	6.0 6.0	-30 -10	+120 +100	EV210B 6.0B EV210B 6.0B	G 14E NC000 G 14F NC000	032U3602 032U3603	2.5 2.5	1.0 1.0	3.3 3.3	4.0 4.0	2.0 2.0	6 6	4.5 4.5
G 3/8	EPDM <sup>1)</sup> FKM	0.30 0.30	3.0 3.0	-30 -10	+120 +100	EV210B 3.0B EV210B 3.0B	G 38E NC000 G 38F NC000	032U3642 032U3643	15 15	9 9	24 24	20 20	13 13	30 30	25 25.0
	EPDM <sup>1)</sup> FKM	0.55 0.55	4.5 4.5	-30 -10	+120 +100	EV210B 4.5B EV210B 4.5B	G 38E NC000 G 38F NC000	032U3605 032U3606	8.0 8.0	3.5 3.5	12 12	10 10	4.5 4.5	13 13	9 9
	EPDM FKM	0.70 0.70	6.0 6.0	-30 -10	+120 +100	EV210B 6.0B EV210B 6.0B	G 38E NC000 G 38F NC000	032U3607 032U3608	2.5 2.5	1.0 1.0	3.3 3.3	4.0 4.0	2.0 2.0	6 6	4.5 4.5
	EPDM FKM	1.00 1.00	8.0 8.0	-30 -10	+120 +100	EV210B 8.0B EV210B 8.0B	G 38E NC000 G 38F NC000	032U3609 032U3610	1.5 1.5	0.5 0.5	2.0 2.0	2.0 2.0	1.2 1.2	3 3	2.5 2.5
	EPDM FKM	1.50 1.50	10 10	-30 -10	+120 +100	EV210B 10B EV210B 10B	G 38E NC000 G 38F NC000	032U3611 032U3612	0.8 0.8	0.3 0.3	1.1 1.1	1.2 1.2	0.6 0.6	1.6 1.6	1.3 1.3
	EPDM FKM	2.50 2.50	15 15	-30 -10	+120 +100	EV210B 15BD EV210B 15BD	G 38E NC000 G 38F NC000	032U3613 032U3614	0.25 0.25	- -	0.4 0.4	0.3 0.3	0.15 0.15	0.45 0.45	0.4 0.4
G 1/2	EPDM FKM	1.00 1.00	8.0 8.0	-30 -10	+120 +100	EV210B 8.0B EV210B 8.0B	G 12E NC000 G 12F NC000	032U3615 032U3616	1.5 1.5	0.5 0.5	2.0 2.0	2.0 2.0	1.2 1.2	3 3	2.5 2.5
	EPDM FKM	1.50 1.50	10 10	-30 -10	+120 +100	EV210B 10B EV210B 10B	G 12E NC000 G 12F NC000	032U3617 032U3618	0.8 0.8	0.3 0.3	1.1 1.1	1.2 1.2	0.6 0.6	1.6 1.6	1.3 1.3
	EPDM FKM	2.85 2.85	15 15	-30 -10	+120 +100	EV210B 15BD EV210B 15BD	G 12E NC000 G 12F NC000	032U3619 032U3620	0.25 0.25	- -	0.4 0.4	0.3 0.3	0.15 0.15	0.45 0.45	0.4 0.4
G 3/4	EPDM FKM	4.50 4.50	20 20	-30 -10	+120 +100	EV210B 20BD EV210B 20BD	G 34E NC000 G 34F NC000	032U3621 032U3622	- -	- -	- -	0.28 0.28	0.12 0.12	0.4 0.4	0.35 0.35
	EPDM FKM	8.0 8.0	25 25	-30 -10	+120 +100	EV210B 25BD EV210B 25BD	G 1E NC000 G 1F NC000	032U3623 032U3624	- -	- -	- -	0.25 0.25	0.09 0.09	0.35 0.35	0.2 0.2

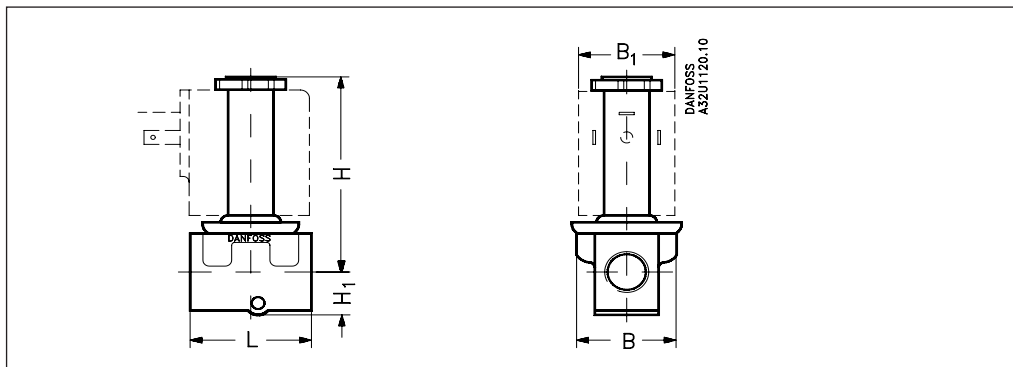
1) 140°C / 3.6 bar low pressure steam, orifice DN 1.5 - 4.5.

- Low pressure steam: DN 1.5 - 3 Use coil type BB or BG.  
DN 4.5 Use coil type BG

- EPDM versions up to DN 3.0 are WRAS approved

2) Pressure range can be extended to use in rough vacuum, typically up to 99% vacuum (10mbar), depending on the application.

Dimensions and weight



Type	L [mm]	B [mm]	B <sub>1</sub> [mm]			H <sub>1</sub> [mm]	H [mm]	Weight without coil [kg]
			Coil type BA/BD	Coil type BB/BE	Coil type BG			
EV210B 1.5/2B	35.0	34	32	46	66	12.0	70.0	0.15
EV210B 3/4.5	38.0	34	32	46	66	11.0	70.0	0.20
EV210B 6B	45.5	34	32	46	66	15.5	72.5	0.22
EV210B 8/10B	49.0	34	32	46	66	15.5	72.5	0.29
EV210B 15B	58.0	53.0	32	46	66	12.5	92.5	0.45
EV210B 20B	90.0	58.0	32	46	66	18.0	92.0	1.10
EV210B 25B	90.0	58.0	32	46	66	23.0	96.0	1.10

Features



EV210B NO

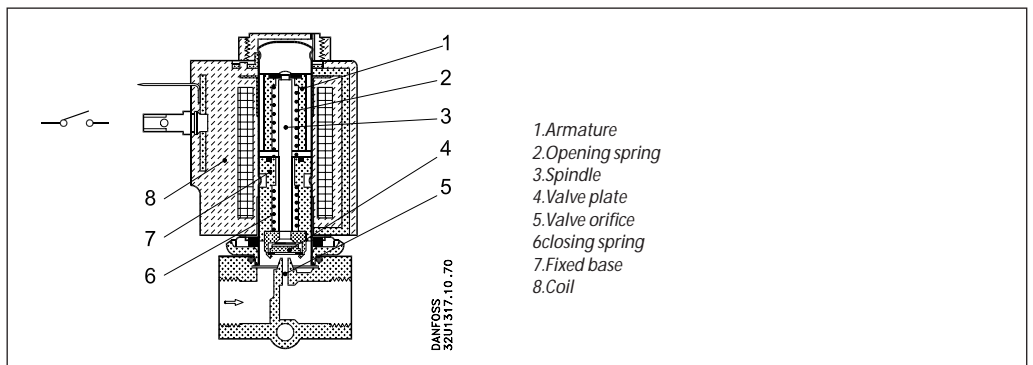
- For robust industrial application, such as control and dosage.
- For water, oil, compressed air and similar neutral media.
- $K_v$  value up to 0.55 m<sup>3</sup>/h
- Differential pressure: Up to 30 Bar
- Viscosity: Up to 50 cSt
- Ambient temperature: Up to +80°C
- Coil enclosure: Up to IP 67
- Thread connections: G<sup>1</sup>/<sub>8</sub> and G<sup>1</sup>/<sub>4</sub>
- Also available with NPT tread. Please contact Danfoss.
- The valves can be used for rough vacuum.

Technical data

Installation	Optional, but vertical solenoid system is recommended
Pressure range	0 to 30 bar
Max. test pressure	50 bar
Tightness	Internally: Better than 8.3 x 10 <sup>-2</sup> mbar l/sec ( 5ccm air per min) Externally: Better than 1 x 10 <sup>-3</sup> mbar l/sec (100%He)
Time to close <sup>1)</sup>	20 ms
Time to open <sup>1)</sup>	10 - 30 ms
Ambient temperature	max. +80°C (depending on the coil type, see data for the coil selected)
Medium temperature	See specific valve data
Viscosity	max. 50 cSt
Materials	Valve body: Brass,..... W.no. 2.0402 Armature: Stainless steel, W.no. 1.4105/AISI 430FR Armature tube: Stainless steel, W.no. 1.4306/AISI 304L Armature stop: Stainless steel, W.no. 1.4105/AISI 430FR Springs: Stainless steel, W.no. 1.4310/AISI 301 Seal material: See specific valve data

<sup>1)</sup>The times are indicative and apply to water. The exact times will depend on the pressure conditions

Function



Coil voltage connected (open):

When the voltage to the coil (8) is disconnected, the valve orifice (5) is open, the opening spring (2) lifting the spindle (3) with the valve plate (4) clear of the orifice. The valve will be open for as long as the supply voltage to the coil is disconnected.

Coil voltage connected (closed):

When voltage is applied to the coil (8), the magnetic field draws the valve's armature (1) down to touch the fixed base (7). The spindle (3) with the valve plate (4) is now pressed down against the valve orifice (5) by the closing spring (6). The valve will be closed for as long as there is voltage to the coil.

Ordering

EV210B NO versions for AC and DC current:  
Brass bodies

Conn. ISO 228/1	Seal material	k <sub>v</sub> value [m <sup>3</sup> /h]	DN [mm]	Media temp		Type designation		Code no. without coil	Permissible differential pressure(bar)/Coil type <sup>2)</sup>							
				Min °C	Max. °C	Main type	Specification		BA		BD		BB		BG	
									9W a.c.	15W d.c.	15W a.c.	10W a.c.	18W d.c.	12W a.c.	20W d.c.	
G 1/8	EPDM <sup>1)</sup> FKM	0.08 0.08	1.5 1.5	-30 -10	+120 +100	EV210B 1.5B EV210B 1.5B	G 18 E NO000 G 18F NO000	032U3630 032U3631	30 30	30 30	30 30	30 30	30 30	30 30	30 30	
	EPDM <sup>1)</sup> FKM	0.15 0.15	2.0 2.0	-30 -10	+120 +100	EV210B 2.0B EV210B 2.0B	G 18 E NO000 G 18F NO000	032U3632 032U3633	12 12	12 12	12 12	12 12	12 12	12 12	12 12	
	EPDM <sup>1)</sup> FKM	0.30 0.30	3.0 3.0	-30 -10	+120 +100	EV210B 3.0B EV210B 3.0B	G 18 E NO000 G 18F NO000	032U3634 032U3635	5 5	5 5	5 5	5 5	5 5	5 5	5 5	
G 1/4	EPDM <sup>1)</sup> FKM	0.15 0.15	2.0 2.0	-30 -10	+120 +100	EV210B 2.0B EV210B 2.0B	G 14 E NO000 G 14F NO000	032U3636 032U3637	12 12	12 12	12 12	12 12	12 12	12 12	12 12	
	EPDM <sup>1)</sup> FKM	0.30 0.30	3.0 3.0	-30 -10	+120 +100	EV210B 3.0B EV210B 3.0B	G 14 E NO000 G 14F NO000	032U3638 032U3639	5 5	5 5	5 5	5 5	5 5	5 5	5 5	
	EPDM <sup>1)</sup> FKM	0.55 0.55	4.5 4.5	-30 -10	+120 +100	EV210B 4.5B EV210B 4.5B	G 14 E NO000 G 14F NO000	032U3640 032U3641	2 2	2 2	2 2	2 2	2 2	2 2	2 2	

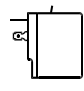
1) 140°C / 3.6 bar low pressure steam, orifice DN 1.5 - 4.5.

- Low pressure steam: DN 1.5 - 3 Use coil type BB or BG.  
DN 4.5 Use coil type BG

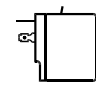
- EPDM versions up to DN 3.0 are WRAS approved

2) Pressure range can be extended to use in rough vacuum, typically up to 99% vacuum (10mbar), depending on the application.

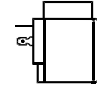
Coil options



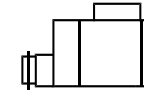
Type BA:  
9 W ac  
15 W dc



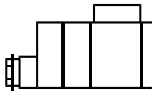
Type BD:  
15 W ac



Type BB:  
10 W ac  
18 W dc



Type BE(IP67):  
10 W ac  
18 W dc



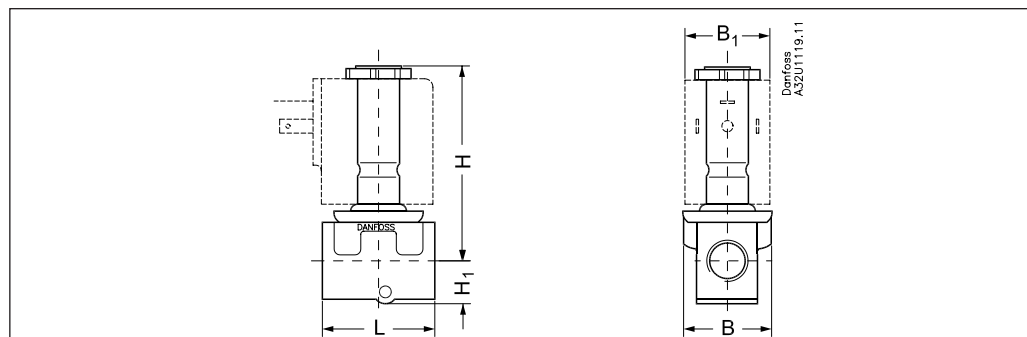
Type BG:  
12 W ac  
20 W dc

Danfoss also offers hum-free coils for noise sensitive applications and EEx m II T4 coils for use in explosion risk areas - please see coil data sheet IC.PD.600.A

Ordering - coils

See separate data sheet for coils IC.PD.600.A

Dimensions and weight



Type	L [mm]	B [mm]	B <sub>1</sub> [mm]			H <sub>1</sub> [mm]	H [mm]	Weight without coil [kg]
			Coil type BA/BD	Coil type BB/BE	Coil type BG			
EV210B 1.5/2B NO	35.0	34.0	32	46	66	12.0	70.0	0.15
EV210B 3/4.5B NO	38.0	34.0	32	46	66	11.0	70.0	0.20

Features



EV210B NC SS

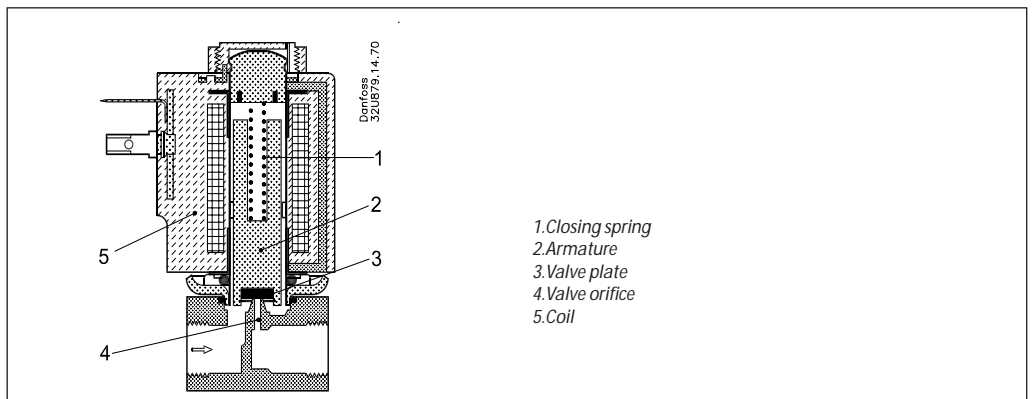
- For robust industrial application, such as control and dosage.
- For neutral and aggressive liquids and gasses. Contact Danfoss if you are in doubt about the suitability of the valve for the medium in question.
- Ambient temperature: Up to +80°C
- Coil enclosure: Up to IP 67
- Thread connections: G<sup>1/8</sup> and G<sup>1/4</sup>
- Viscosity: Up to 50 cSt
- k<sub>v</sub> values up to 0.55 m<sup>3</sup>/h
- Differential pressure: Up to 30 bar
- The valves can be used for rough vacuum.

Technical data

Installation	Optional, but vertical solenoid system is recommended
Pressure range	0 to 30 bar
Max. test pressure	50 bar
Tightness	Internally: Better than 8.3 x 10 <sup>-2</sup> mbar l/sec (5ccm air per min) Externally: Better than 1 x 10 <sup>-3</sup> mbar l/sec (100%He)
Time to open <sup>1)</sup>	10 - 30 ms
Time to close <sup>1)</sup>	20ms
Ambient temperature	max. +80°C
Medium temperature	See specific valve data
Viscosity	max. 50 cSt
Materials	Valve body: Stainless steel, W.no. 1.4404 /AISI 316L Armature: Stainless steel, W.no. 1.4105/AISI 430FR Armature tube: Stainless steel, W.no. 1.4306/AISI 304L Armature stop: Stainless steel, W.no. 1.4105/AISI 430FR Springs: Stainless steel, W.no. 1.4310/AISI 301 Seal material: See specific valve data

<sup>1)</sup>The times are indicative and apply to water. The exact times will depend on the pressure conditions

Function



**Coil voltage disconnected (closed):**  
When the voltage to the coil (5) is disconnected, the armature (2) with the valve plate (3) is pressed down against the valve orifice (4) by the closing spring (1) and the medium's pressure. The valve will be closed for as long as the voltage to the coil is disconnected.

**Coil voltage connected (open):**  
When voltage is applied to the coil (5), the armature (2) with the valve plate (3) is lifted clear of the valve orifice (4). The valve is now open for unimpeded flow and will be open for as long as there is voltage to the coil.

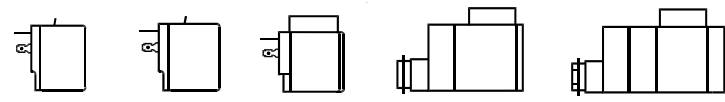
Ordering

**EV210B NC versions for AC and DC current:  
Stainless steel bodies**

Conn. ISO 228/1	Seal material	k <sub>v</sub> value [m <sup>3</sup> /h]	DN [mm]	Media temp		Type designation		Code no. without coil	Permissible differential pressure(bar)/Coil type						
				Min °C	Max. °C	Main type	Specification		BA		BD	BB		BG	
									9W a.c.	15W d.c.		15W a.c.	10W a.c.	18W d.c.	12W a.c.
G 1/8	EPDM <sup>1)</sup>	0.08	1.5	-30	+120	EV210B 1.5SS	G 18 E NC000	032U3645	30	30	30	30	30	30	30
	EPDM <sup>1)</sup>	0.15	2.0	-30	+120	EV210B 2.0SS	G 18 E NC000	032U3647	30	20	30	30	30	30	30
	EPDM <sup>1)</sup>	0.30	3.0	-30	+120	EV210B 3.0SS	G 18 E NC000	032U3649	15	9	24	20	13	30	25
G 1/4	EPDM <sup>1)</sup>	0.15	2.0	-30	+120	EV210B 2.0SS	G 14 E NC000	032U3651	30	20	30	30	30	30	30
	EPDM <sup>1)</sup>	0.30	3.0	-30	+120	EV210B 3.0SS	G 14 E NC000	032U3653	15	9	24	20	13	30	25
	EPDM <sup>1)</sup>	0.55	4.5	-30	+120	EV210B 4.5SS	G 14 E NC000	032U3655	8.0	3.5	12	10	4.5	13	9

- 1) 140°C / 3.6 bar low pressure steam, orifice DN 1.5 - 4.5.
- Low pressure steam: DN 1.5 - 3 Use coil type BB or BG.  
DN 4.5 Use coil type BG
- EPDM versions up to DN 3.0 are WRAS approved

Coil options



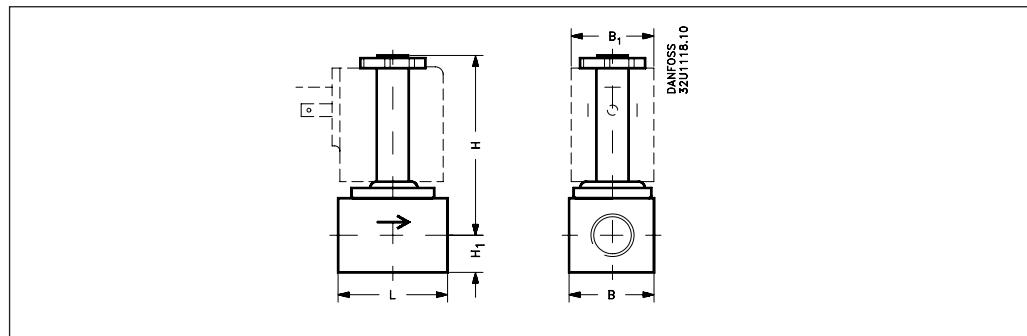
*Danfoss also offers hum-free coils for noise sensitive applications and EEx m II T4 coils for use in explosion risk areas - please see coil data sheet IC.PD.600.A*

Type BA: 9 W ac 15 W dc	Type BD: 15 W ac	Type BB: 10 W ac 18 W dc	Type BE(IP67): 10 W ac 18 W dc	Type BG: 12 W ac 20 W dc
-------------------------------	---------------------	--------------------------------	--------------------------------------	--------------------------------

Ordering - coils

See separate data sheet for coils IC.PD.600.A

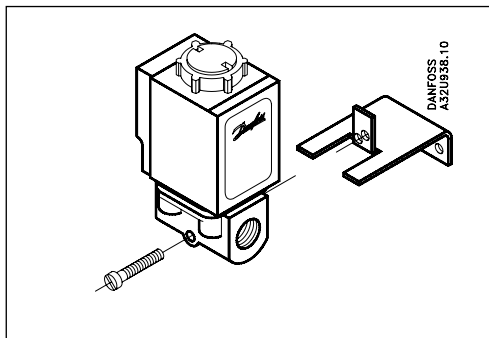
Dimensions and weight



Type	L [mm]	B [mm]	B <sub>1</sub> [mm]			H <sub>1</sub> [mm]	H [mm]	Weight without coil [kg]
			Coil type BA/BD	Coil type BB/BE	Coil type BG			
EV210B 1.5/2 SS	35.0	34.0	32	46	66	12.0	70.0	0.15
EV210B 3/4.5 SS	35.0	34.0	32	46	66	11.0	70.0	0.20



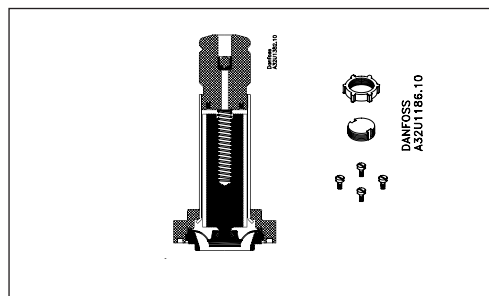
**Mounting fittings, NC/NO**



For EV210B 1.5 - 4.5B in connection with synthetic tubes, pipes and similar.

Description	Code no.
Brackets	032U1040

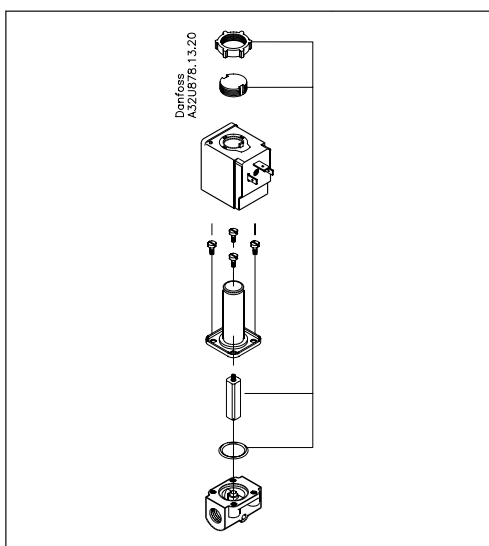
**Optional Isolating diaphragm kit**



The kit consist of assembled isolating unit, O-ring, 4 screws, locking button and nut for the coil. Suitable for orifice sizes up to DN 3 mm.

Seal material	Code no.
EPDM	042U1009
FKM	042U1010

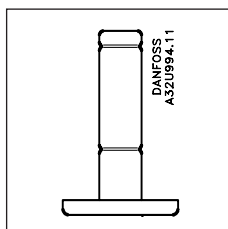
**Spare parts kit, NC**



The spare parts kit comprises a locking button, nut for the coil, armature with valve plate and spring, and an O-ring.

Main type	Seal material	Code no.
EV210B 1.5/2,3, 4,5,	FKM	032U2003
	EPDM	032U6000
EV210B 6,8,10	FKM	032U2011
	EPDM	032U2006
EV210B15	FKM	032U2012
	EPDM	032U2013
EV210B 20	FKM	032U2014
	EPDM	032U2017
EV210B25	FKM	032U2018
	EPDM	032U2019

**Spare parts kit, NO**



Main type	Seal material	Code no
EV210B 1.5/2,3, 4,5,	FKM	032U2004
	EPDM	032U2005

Danfoss can accept no responsibility for possible errors in catalogues, brochures and other printed material. Danfoss reserves the right to alter its products without notice. This also applies to products already on order provided that such alterations can be made without subsequential changes being necessary in specifications already agreed. All trademarks in this material are property of the respective companies. Danfoss and the Danfoss logotype are trademarks of Danfoss A/S. All rights reserved.