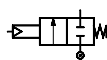


Solenoid valves with built in filter
2/2-way servo-operated
Type EV220A
DN 11



De-energized closed

Type EV220A
for neutral liquids and gases
DN 11 B

G 1/2

Features

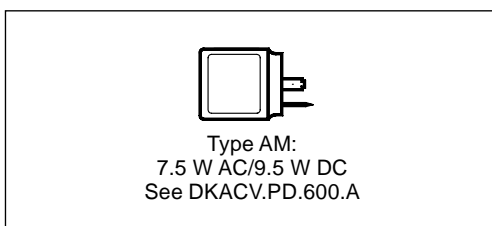


- Very compact valve for industrial and sanitary application
- Normally closed (NC) function
- Interchangeable filter (mesh size 0.6 mm)
- For water, oil, compressed air and similar neutral media
- Flow range for water: 1.27 to 7.20 m³/h
- Differential pressure: Up to 16 bar
- Viscosity: Up to 40 cSt
- Ambient temperature: Up to +50°C
- Coil enclosure: Up to IP 65

Technical data (Valve)

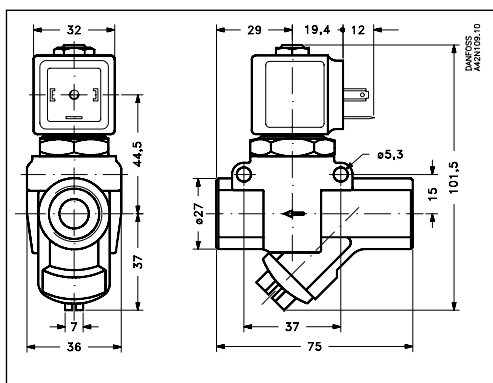
Installation	Optional, but vertical solenoid system is recommended		
Pressure range	0.5 to 16 bar		
Max. test pressure	24 bar		
Ambient temperature	-15 °C to +50 °C		
Medium temperature	-10 °C to +100 °C		
Viscosity	Max. 40 cSt		
Materials	Valve body:	Brass,	W.no. 2.0401
	Armature	Stainless steel	W.no. 1.4016 / AISI 430
	Armature tube:	Stainless steel	W.no. 1.4303 / AISI 305
	Armature top:	Stainless steel	W.no. 1.4016 / AISI 430
	Springs:	Stainless steel	W.no. 1.4310 / AISI 301
	Orifice:	Stainless steel	W.no. 1.4305 / AISI 303
	Filter:	Stainless steel	W.no. 1.4301 / AISI 304
	O-rings, valve plate and diaphragm:	FKM (Viton)	

Coil options



Danfoss also offers EEx m II T4 coils for use in explosion risk areas - please see coil data sheet DKACV.PD.600.A

Dimensions and weight



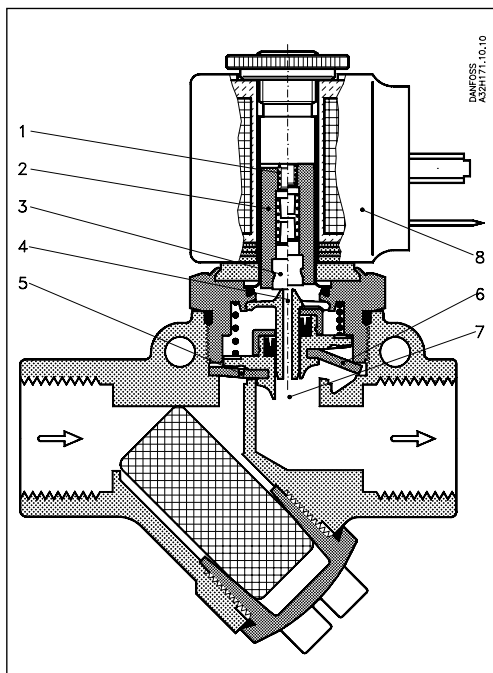
Weight:	
Valve body without coil	0.46 kg
Coil	0.10 kg

G 1/2

Type EV220A
for neutral liquids and gases
DN 11 B

De-energized closed

Function



- 1. Closing Spring
- 2. Armature
- 3. Valve plate
- 4. Pilot orifice
- 5. Equalizing orifice
- 6. Diaphragm
- 7. Main orifice
- 8. Coil

Coil voltage disconnected (closed):
When the voltage is disconnected, the valve plate (3) is pressed down against the pilot orifice (4) by the closing spring (1). The pressure across the diaphragm (6) is built up via the equalizing orifice (5). The diaphragm (6) closes the main orifice (7) as soon as the pressure across the diaphragm is equivalent to the inlet pressure. The valve will be closed for as long as the voltage to the coil is disconnected.

Coil voltage connected (open):
When voltage is applied to the coil (8), the pilot orifice (4) is opened. As the pilot orifice is larger than the equalizing orifice (5), the pressure across the diaphragm (6) drops and therefore it is lifted clear of the main orifice (7). The valve is now open for unimpeded flow and will be open for as long as the minimum differential pressure across the valve is maintained, and for as long as there is voltage to the coil.

Ordering

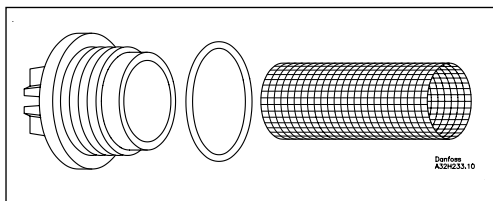
Valve body

Conne- ction	Seal material	k _v - value [m ³ /h]	Type designation		Code no. without coil	Permissible diff. pressure [bar]			Suitable coil type
			Main type	Specification		Min.	Max. ac dc		
G 1/2	FKM	1.80	EV220A 11 B	G 12F NC045	032H8204	0.5	16	16	AM

Coils

See separate data sheet for coils DKACV.PD.600.A

Spare parts kit



The kit consists of:

- Filter
- O-ring
- Plastic plug

	Code no.
Spare parts kit	032H8298

Type EV220A

Danfoss can accept no responsibility for possible errors in catalogues, brochures and other printed material. Danfoss reserves the right to alter its products without notice. This also applies to products already on order provided that such alterations can be made without subsequential changes being necessary in specifications already agreed. All trademarks in this material are property of the respective companies. Danfoss and the Danfoss logotype are trademarks of Danfoss A/S. All rights reserved.
